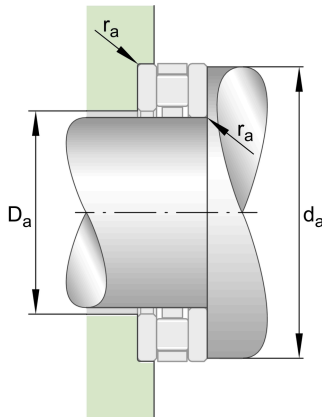
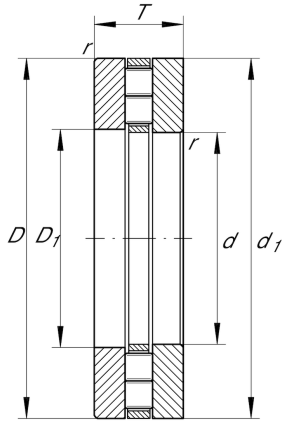
**89308-TV**

Axial cylindrical roller bearing

Schaeffler ID:
0007784350000Axial cylindrical roller bearings 893, single
direction, comprising K893, GS, WS

Technical information

**Main Dimensions & Performance Data**

d	40 mm	Bore diameter
D	78 mm	Outside diameter
T	22 mm	Height
C_a	123,000 N	Basic dynamic load rating, axial
C_{0a}	385,000 N	Basic static load rating, axial
C_{ua}	39,500 N	Fatigue load limit, axial
n_G	4,900 1/min	Limiting speed
n_{gr}	1,780 1/min	Reference speed
	0.005 kg	Weight

Dimensions

	K89308-TV	Axial roller and cage assembly
D_1	42 mm	Bore diameter housing washer
	GS89308	Housing Washer
d_1	78 mm	Rip diameter shaft washer
	WS89308	Shaft washer
B	22 mm	Width
r_{min}	1 mm	Minimum chamfer dimension
D_{c1}	40 mm	Cage bore diameter

Mounting dimensions

d_a	77 mm	Minimum diameter shaft shoulder
D_a	44 mm	Maximum diameter of housing shoulder
r_a	1 mm	Recess radius